

AUX R32 - Inverter Ducted system Series - AHU18HPV1AO

Job Name _____ Location _____ Date _____
 Purchaser _____ Engineer _____
 For Reference Approval
 Submitted to _____ Construction _____
 Unit Designation _____ Schedule # _____



AHRI No: 217729372

R32 Environmental Refrigerant

Refrigerant Cooling

Flexible Installation

Compatible 485&24V

Fast Cooling / Heating

Quiet And Comfortable

Specifications				
Model			AHU18HPV1AO	
Electric Data	Power Supply		V~,Hz,Ph	208/230,60,1
	Max. Input Consumption		W	2800
	Max. Current		A	13
	MCA	outdoor unit	A	17
	MAX.Fuse	outdoor unit	A	25
	Recommended Breaker Size		A	20
Air Flow Volume			CFM	2059
Noise Level			dB(A)	56
Outdoor Unit	Net Dimensions	H	In.[mm]	27-9/16[700]
		W	In.[mm]	38-9/16[980]
		D	In.[mm]	15-1/4[388]
	Package Dimensions	H	In.[mm]	30-5/16 [770]
		W	In.[mm]	40-3/16[1020]
		D	In.[mm]	16-15/16[430]
	Weight	Net/Gross	lbs	95.874/102.486
Refrigerant	Charged Volume		OZ	42.33
Pipe	Liquid(O.D.)		In.[mm]	3/8[Φ9.52]
	Gas(O.D.)		In.[mm]	5/8[Φ15.88]
	Max. Length		ft[m]	98[30]
	Max. Height		ft[m]	49[15]
Ambient Temp Range		Cooling	°F (°C)	5~125(-15~52)
		Heating	°F (°C)	5~75(-15~24)
Connection Wiring		Power Wiring (Outdoor)	AWG	14
		Signal Wiring	AWG	22

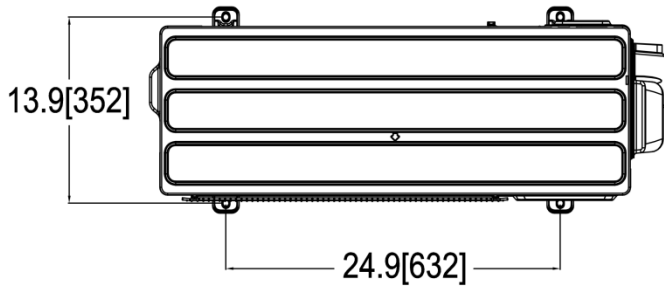
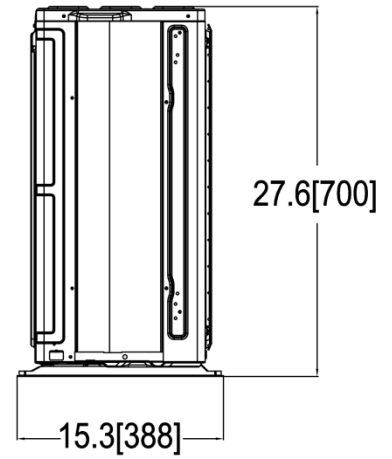
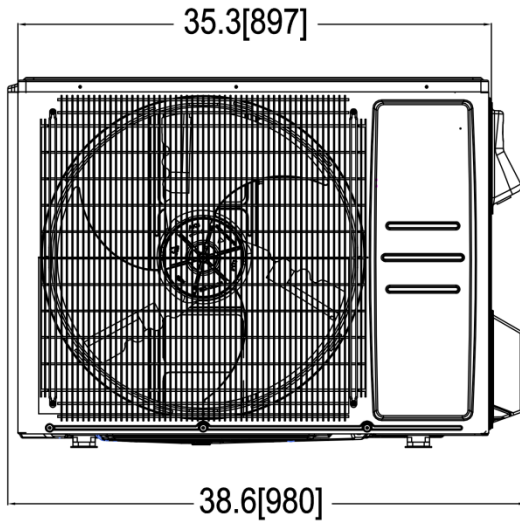
Remarks:

- All specifications are subject to change by the manufacturer without prior notice.
- All units are being tested and comply to AHRI210/240.
- Sound pressure levels are measured in anechoic chamber.
During actual operation, sound pressure level will be higher as a result of room specification condition.
- Data from AUX lab,30/09/24, Data may change according to test surroundings, AUX reserves right of explanation on data.

Dimensions

Indoor Unit

AHU18HPV1AO



AUX-S-110624

Specifications are subject to change without notice.

© 2024 Aux Cloud Commerce (USA) Inc. All rights reserved