

Job Name _____
 Purchaser _____
 Submitted to _____
 Unit Designation _____

Location _____ Date _____
 Engineer _____
 For Reference Approval Construction
 Schedule # _____



❖ AHRI No: 214290026



Specifications				
Model				AJAN12HP115V1C
Indoor Unit				AJAN12HP115V1CH
Outdoor Unit				AJAN12HP115V1CO
Cooling	Capacity	Rated	Btu/h	12000
	Capacity Range	Min-Max	Btu/h	1700-13300
	Power Input	Rated	W	1250
	Operating Range	°F		5-125
Heating	Capacity at 47F	Rated	Btu/h	12300
	Capacity Range	Min-Max	Btu/h	1700-15000
	Power Input at 47F	Rated	W	1050
	Capacity at 17F	Rated	Btu/h	9800
	Capacity at 5F	Max	Btu/h	9200
	Capacity at -5°F	Max	Btu/h	6100
	Operating Range	°F		-13-75
Efficiency	SEER2			20
	HSPF2			8.5
Indoor Unit	Air Flow Rate(SH/H/M/L/Q)		CFM	380/330/302/273/193
	Sound Pressure Level	Cooling	dB(A)	43/40/36/33/27
		Heating	dB(A)	43/40/36/33
	Package Dimensions	H	In.[mm]	11-7/64 [282]
		W	In.[mm]	35-5/64 [891]
		D	In.[mm]	14-39/64 [371]
	Net Dimensions	H	In.[mm]	7-61/64 [202]
W		In.[mm]	32-53/64 [834]	
D		In.[mm]	11-47/64 [298]	



	Net Weight	lbs[kg]		18.8 [8.5]
Outdoor Unit	Package Dimensions	H	In.[mm]	23-27/64 [595]
		W	In.[mm]	32-31/64 [825]
		D	In.[mm]	13-37/64 [345]
	Net Dimensions	H	In.[mm]	21-3/16 [538]
		W	In.[mm]	31-11/16 [805]
		D	In.[mm]	12-11/64 [309]
	Net Weight	lbs[kg]		51.8 [23.5]
Sound Pressure Level	Cooling	dB(A)	52	
	Heating	dB(A)	52	
Piping	Diameter	Gas(0.D.)	In.[mm]	3/8 [9.52]
		Liquid(0.D.)	In.[mm]	1/4 [6.35]
		Indoor Drain	In.[mm]	5/8 [15.88]
	Min.Length	ft [m]		9 [2.74]
	Max.Length	ft [m]		65 [20]
	Max.Height	ft [m]		50 [15]
Electrical	Outdoor-Indoor	V,ph,Hz		115,1,60
	Recommended Breaker Size	A		25
	MCA	A		15
	MOCP	A		25
Refrigerant	Refrigerant Type			R32
	Pre-Charge Amount oz			30
	Additional Charge Per Foot over 25ft			0.172oz/ft

Remarks:

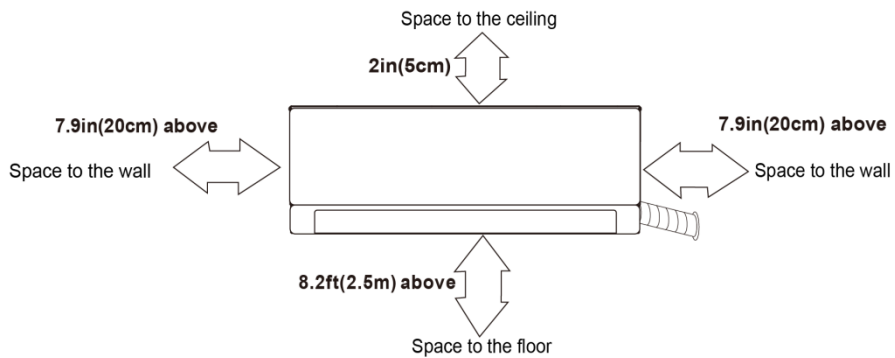
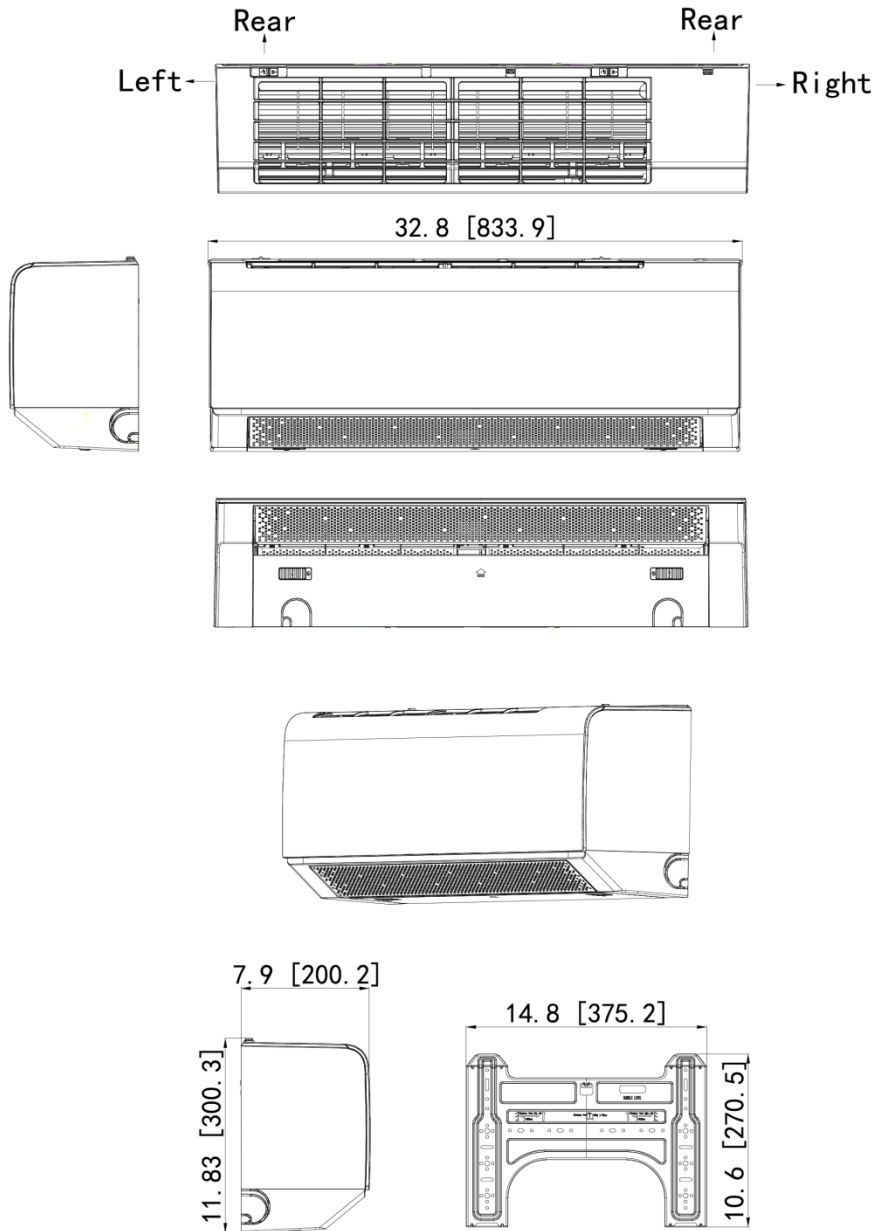
- 1.All specifications are subject to change by the manufacturer without prior notice.
- 2.All units are being tested and comply to ISO5151.
- 3.Sound pressure levels are measured in anechoic chamber.
During actual operation, sound pressure level will be higher as a result of room specification condition.
- 4.Data from AUX lab,05/03/24, Data may change according to test surroundings, AUX reserves right of explanation on data.





Dimensions

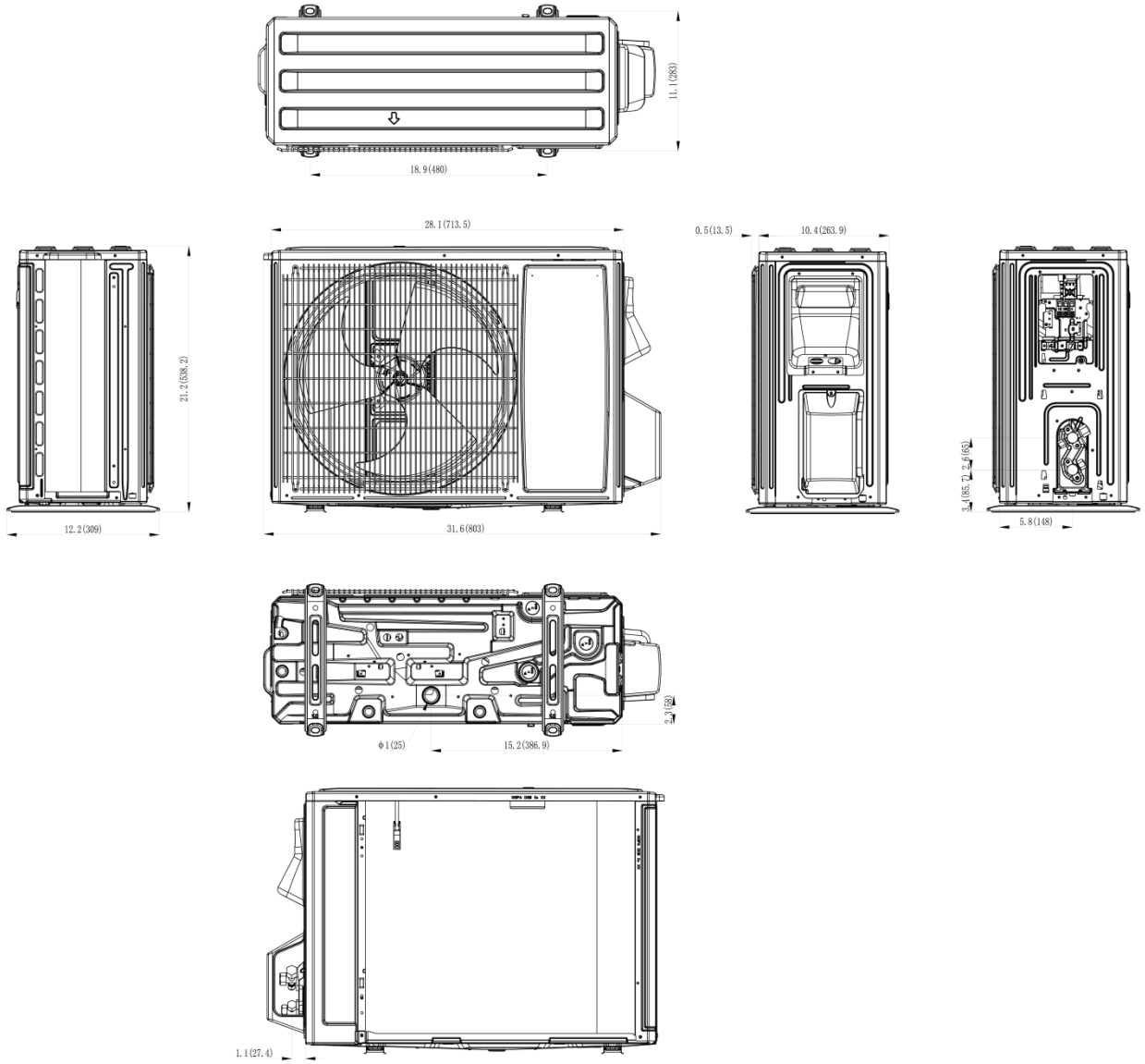
Indoor Unit:
AJAN12HP115V1CH





Dimensions

Outdoor Unit:
AJAN12HP115V1CO





Clearances

Outdoor Unit:
AJAN12HP115V1CO

