

AUX R32 – C-Series - AJAN18HP230V1C

Job Name _____
 Purchaser _____
 Submitted to _____
 Unit Designation _____

Location _____ Date _____
 Engineer _____
 For Reference Approval Construction
 Schedule # _____



❖ AHRI No: 214290028



Specifications				
Model				AJAN18HP230V1C
Indoor Unit				AJAN18HP230V1CH
Outdoor Unit				AJAN18HP230V1CO
Cooling	Capacity	Rated	Btu/h	18000
	Capacity Range	Min-Max	Btu/h	2900-20000
	Power Input	Rated	W	1638
	Operating Range	°F		5-125
Heating	Capacity at 47F	Rated	Btu/h	19100
	Capacity Range	Min-Max	Btu/h	4400-22600
	Power Input at 47F	Rated	W	1.695
	Capacity at 17F	Rated	Btu/h	15500
	Capacity at 5F	Max	Btu/h	14200
	Capacity at -5°F	Max	Btu/h	10000
	Operating Range	°F		-13-75
Efficiency	SEER2			20
	HSPF2			9
Indoor Unit	Air Flow Rate(SH/H/M/L/Q)		CFM	560/496/437/378/252
	Sound Pressure Level	Cooling	dB(A)	49/46/42/37/29
		Heating	dB(A)	49/46/42/37
	Package Dimensions	H	In.[mm]	12-932 [312]
		W	In.[mm]	42-18 [1070]
		D	In.[mm]	15-532 [385]
	Net Dimensions	H	In.[mm]	8-2532 [223]
W		In.[mm]	39-2964 [1002]	
D		In.[mm]	12-3364 [318]	

	Net Weight	lbs[kg]		24.2 [11]
Outdoor Unit	Package Dimensions	H	In.[mm]	24-732 [615]
		W	In.[mm]	35-3564 [903]
		D	In.[mm]	15-364 [382]
	Net Dimensions	H	In.[mm]	21-5964 [557]
		W	In.[mm]	34-4164 [880]
		D	In.[mm]	13-5764 [353]
	Net Weight	lbs[kg]		66.1 [30]
Sound Pressure Level	Cooling	dB(A)	53	
	Heating	dB(A)	55	
Piping	Diameter	Gas(0.D.)	In.[mm]	1/2 [12.7]
		Liquid(0.D.)	In.[mm]	1/4 [6.35]
		Indoor Drain	In.[mm]	5/8 [15.88]
	Min.Length	ft [m]		9 [2.74]
	Max.Length	ft [m]		100 [30]
	Max.Height	ft [m]		65 [20]
Electrical	Outdoor-Indoor	V,ph,Hz		208/230,1,60
	Recommended Breaker Size	A		20
	MCA	A		15
	MOCP	A		20
Refrigerant	Refrigerant Type			R32
	Pre-Charge Amount oz			34.6
	Additional Charge Per Foot over 25ft			0.258oz/ft

Remarks:

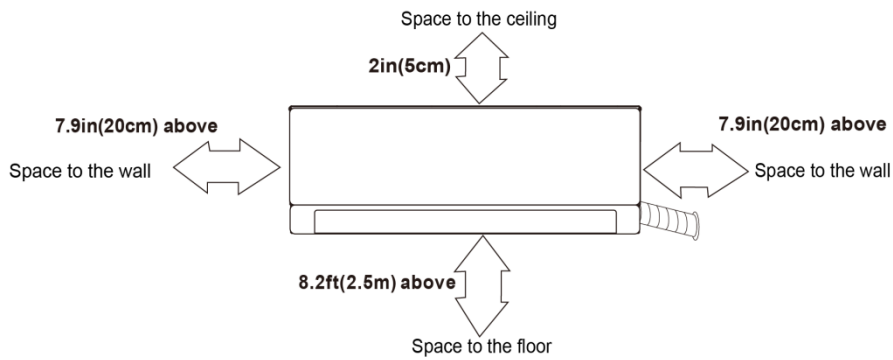
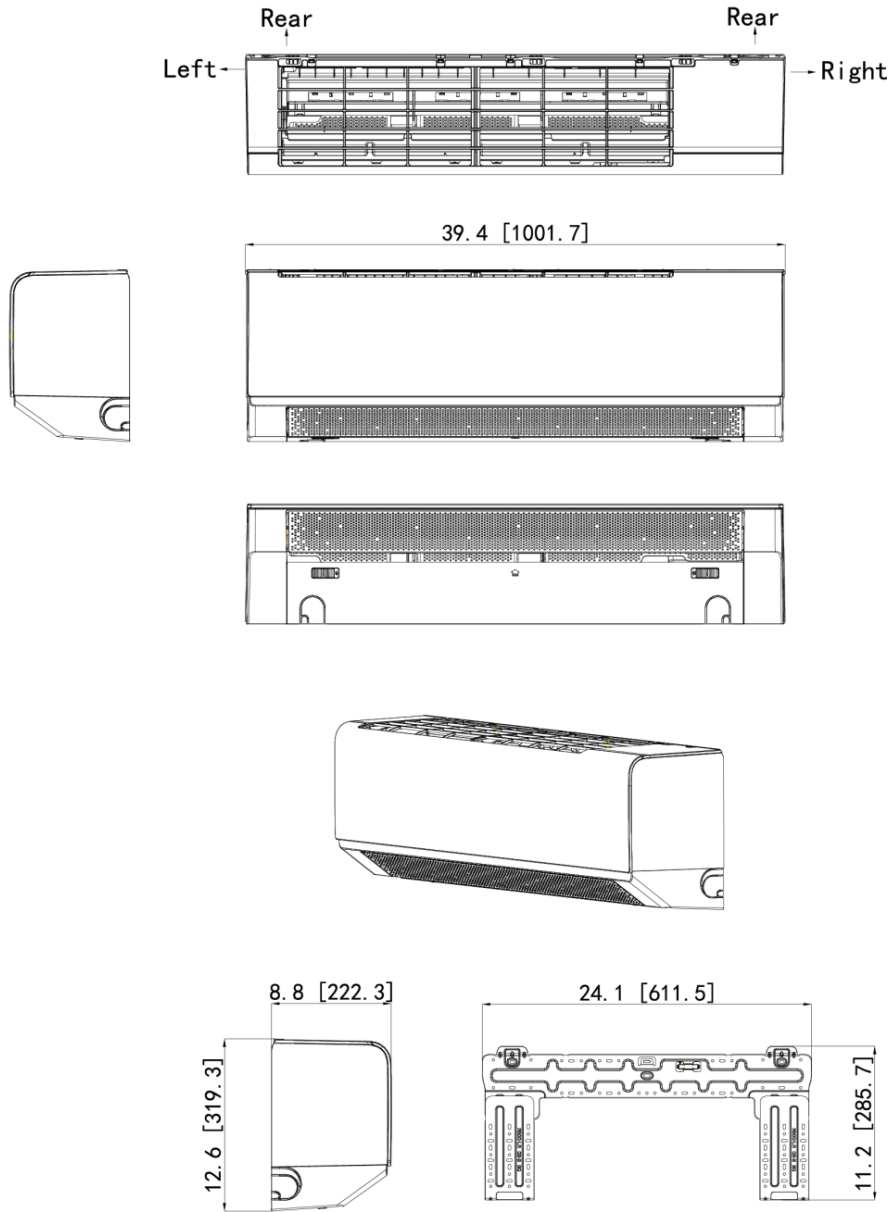
- 1.All specifications are subject to change by the manufacturer without prior notice.
- 2.All units are being tested and comply to ISO5151.
- 3.Sound pressure levels are measured in anechoic chamber.
During actual operation, sound pressure level will be higher as a result of room specification condition.
- 4.Data from AUX lab,05/03/24, Data may change according to test surroundings, AUX reserves right of explanation on data.





Dimensions

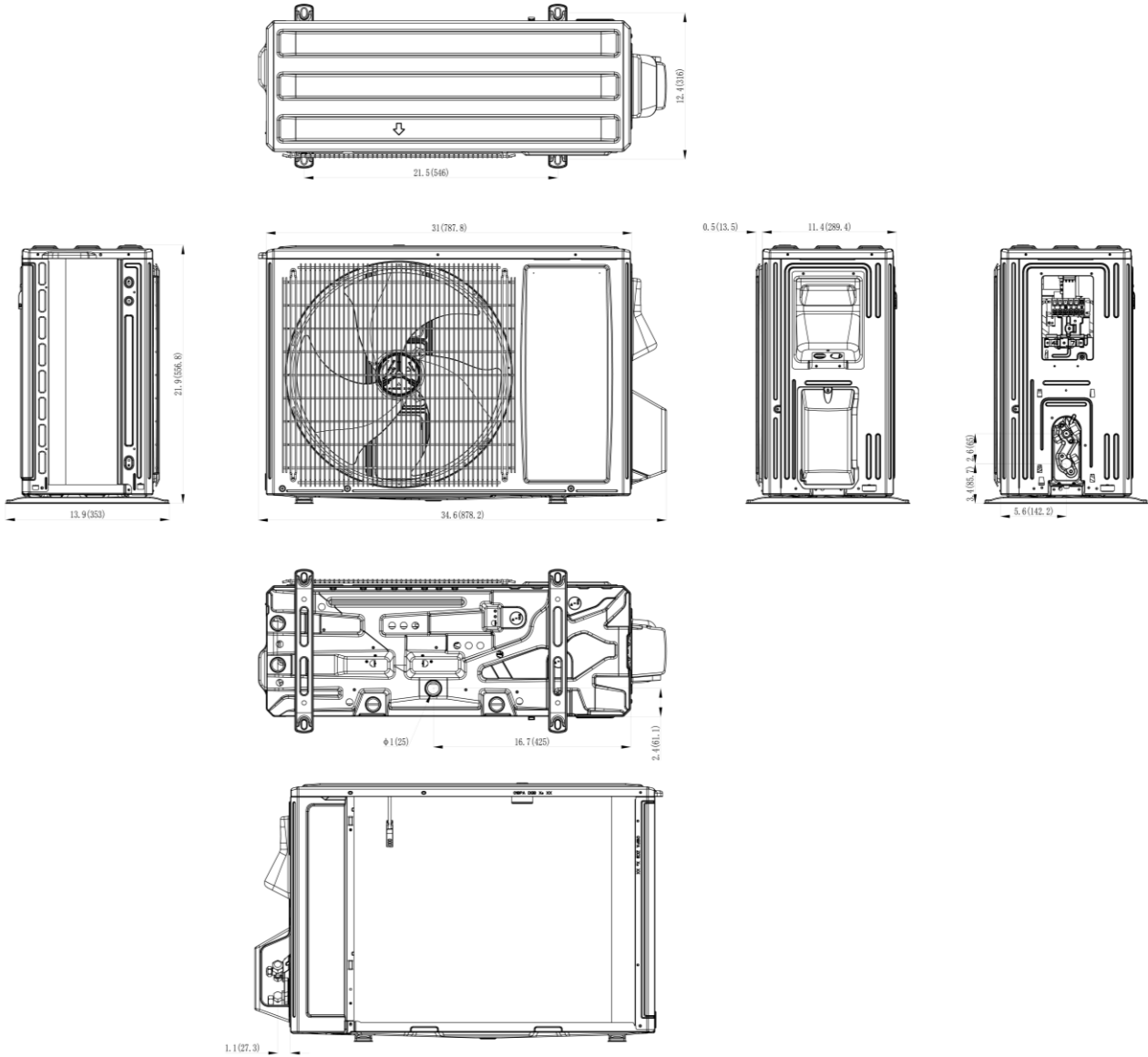
Indoor Unit:
AJAN18HP230V1CH





Dimensions

Outdoor Unit:
AJAN18HP230V1CO





Clearances

Outdoor Unit:
AJAN18HP230V1CO

