

Job Name \_\_\_\_\_  
 Purchaser \_\_\_\_\_  
 Submitted to \_\_\_\_\_  
 Unit Designation \_\_\_\_\_

Location \_\_\_\_\_ Date \_\_\_\_\_  
 Engineer \_\_\_\_\_  
 For Reference Approval Construction  
 Schedule # \_\_\_\_\_



❖ AHRI No: 214290013



Specifications				
Model				AJAN09HP230V1C
Indoor Unit				AJAN09HP230V1CH
Outdoor Unit				AJAN09HP230V1CO
Cooling	Capacity	Rated	Btu/h	9100
	Capacity Range	Min-Max	Btu/h	1700~12600
	Power Input	Rated	W	758
	Operating Range	°F		5-125
Heating	Capacity at 47F	Rated	Btu/h	10000
	Capacity Range	Min-Max	Btu/h	1700~14000
	Power Input at 47F	Rated	W	790
	Capacity at 17F	Rated	Btu/h	9400
	Capacity at 5F	Max	Btu/h	9200
	Capacity at -5°F	Max	Btu/h	5800
	Operating Range	°F		-13-75
Efficiency	SEER2			22
	HSPF2			9.2
Indoor Unit	Air Flow Rate(SH/H/M/L/Q)		CFM	355/315/282/255/180
	Sound Pressure Level	Cooling	dB(A)	41/36/34/31/26
		Heating	dB(A)	41/36/33/29
	Package Dimensions	H	In.[mm]	11-7/64 [282]
		W	In.[mm]	32-23/32 [831]
		D	In.[mm]	14-39/64 [371]
	Net Dimensions	H	In.[mm]	7-61/64 [202]
W		In.[mm]	30-15/32 [774]	
D		In.[mm]	11-47/64 [298]	



	Net Weight	lbs[kg]		17.7 [8]
Outdoor Unit	Package Dimensions	H	In.[mm]	23-27/64 [595]
		W	In.[mm]	32-31/64 [825]
		D	In.[mm]	13-37/64 [345]
	Net Dimensions	H	In.[mm]	21-3/16 [538]
		W	In.[mm]	31-11/16 [805]
		D	In.[mm]	12-11/64 [309]
	Net Weight	lbs[kg]		55.1 [25]
Sound Pressure Level	Cooling	dB(A)	51	
	Heating	dB(A)	51	
Piping	Diameter	Gas(0.D.)	In.[mm]	3/8 [9.52]
		Liquid(0.D.)	In.[mm]	1/4 [6.35]
		Indoor Drain	In.[mm]	5/8 [15.88]
	Min.Length	ft [m]		9 [2.74]
	Max.Length	ft [m]		65 [20]
	Max.Height	ft [m]		50 [15]
Electrical	Outdoor-Indoor	V,ph,Hz		208/230,1,60
	Recommended Breaker Size	A		15
	MCA	A		10
	MOCP	A		15
Refrigerant	Refrigerant Type			R32
	Pre-Charge Amount oz			21.1
	Additional Charge Per Foot over 25ft			0.172oz/ft

## Remarks:

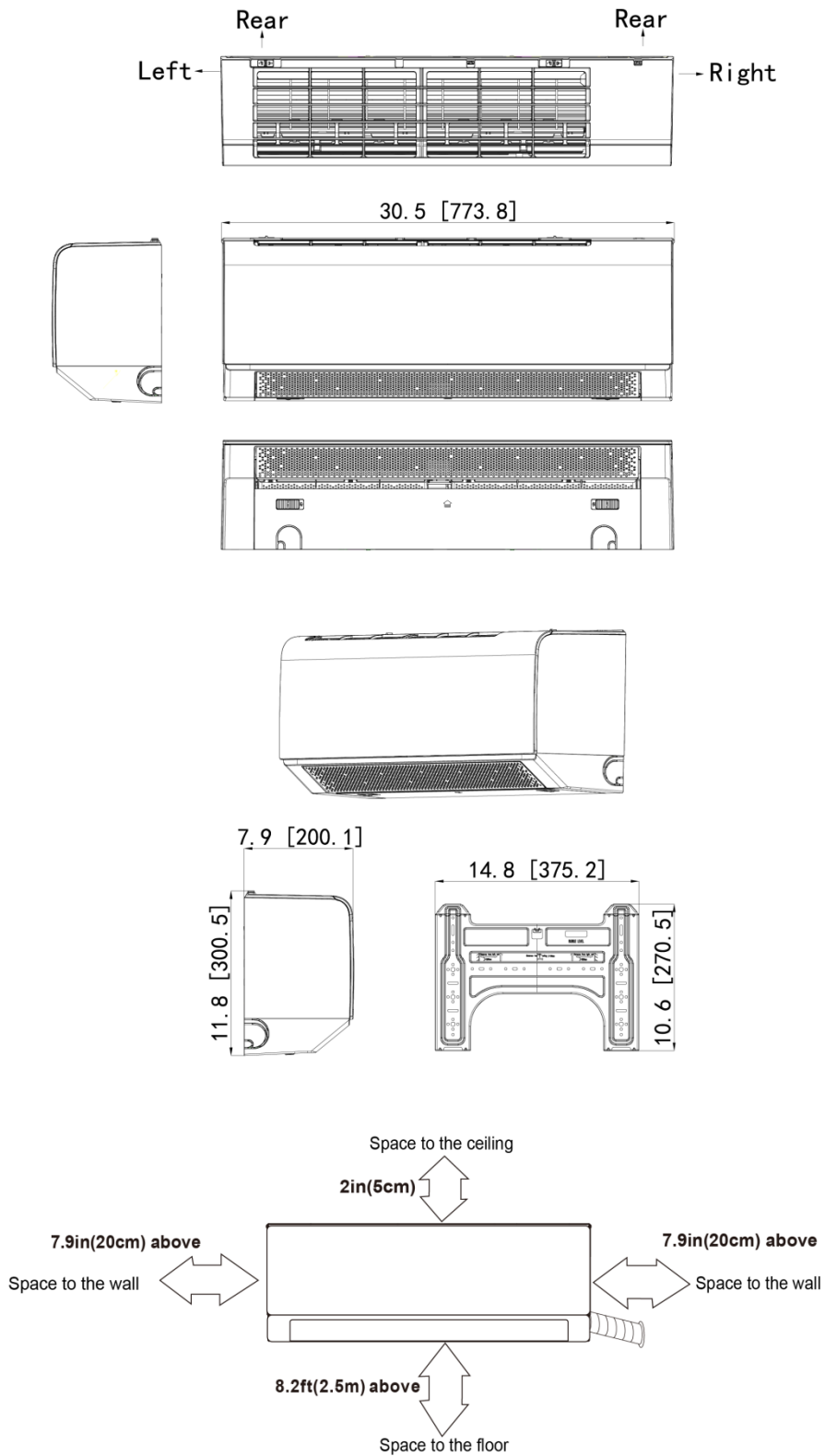
- 1.All specifications are subject to change by the manufacturer without prior notice.
- 2.All units are being tested and comply to ISO5151.
- 3.Sound pressure levels are measured in anechoic chamber.  
During actual operation, sound pressure level will be higher as a result of room specification condition.
- 4.Data from AUX lab,05/03/24, Data may change according to test surroundings, AUX reserves right of explanation on data.





# Dimensions

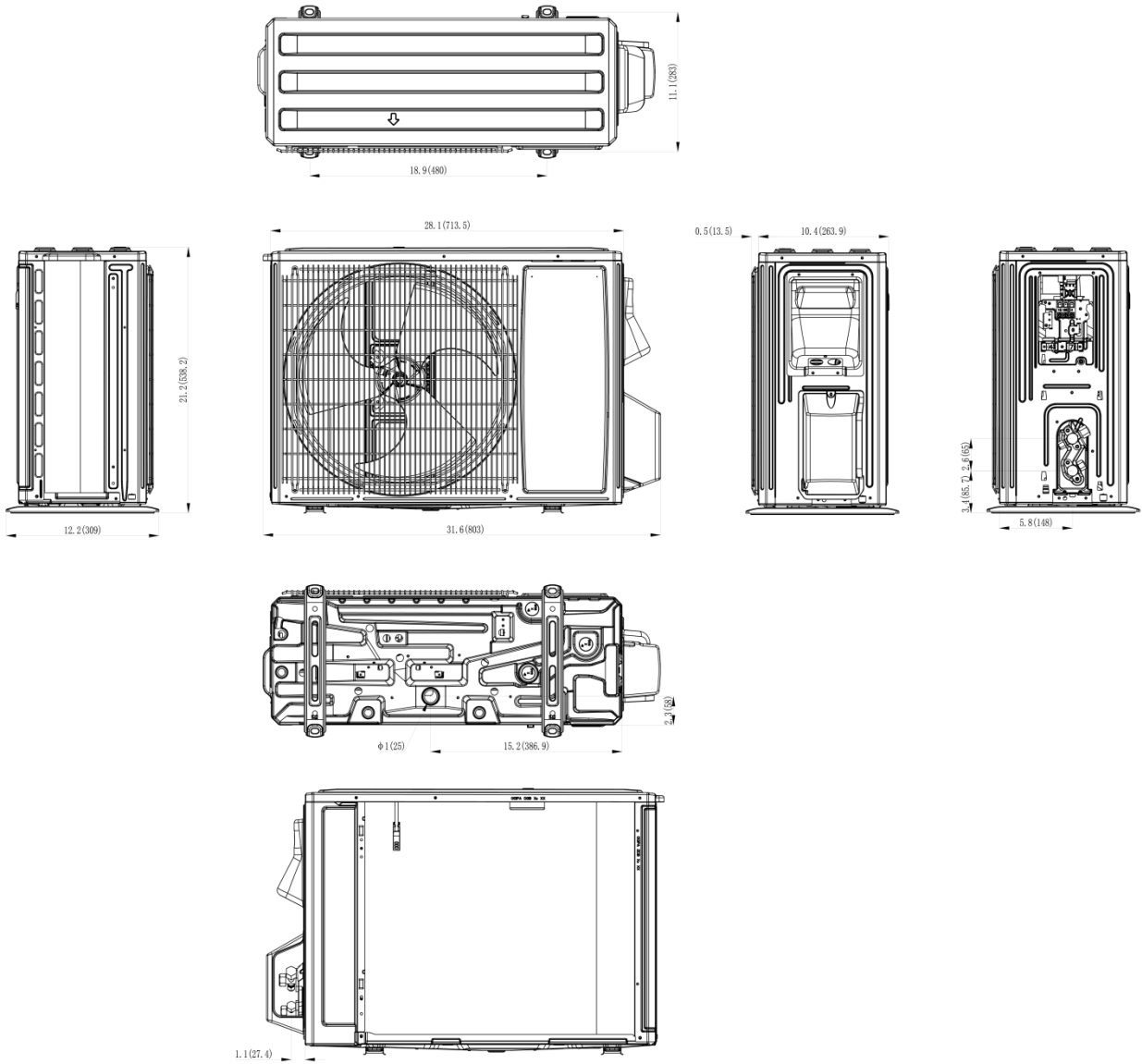
Indoor Unit:  
AJAN09HP230V1CH





# Dimensions

Outdoor Unit:  
AJAN09HP230V1CO





## Clearances

Outdoor Unit:  
AJAN09HP230V1CO

